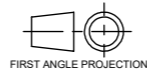


TITLE:

CLU-0800 Clutch Slave Cylinder



FIRST ANGLE PROJECTION

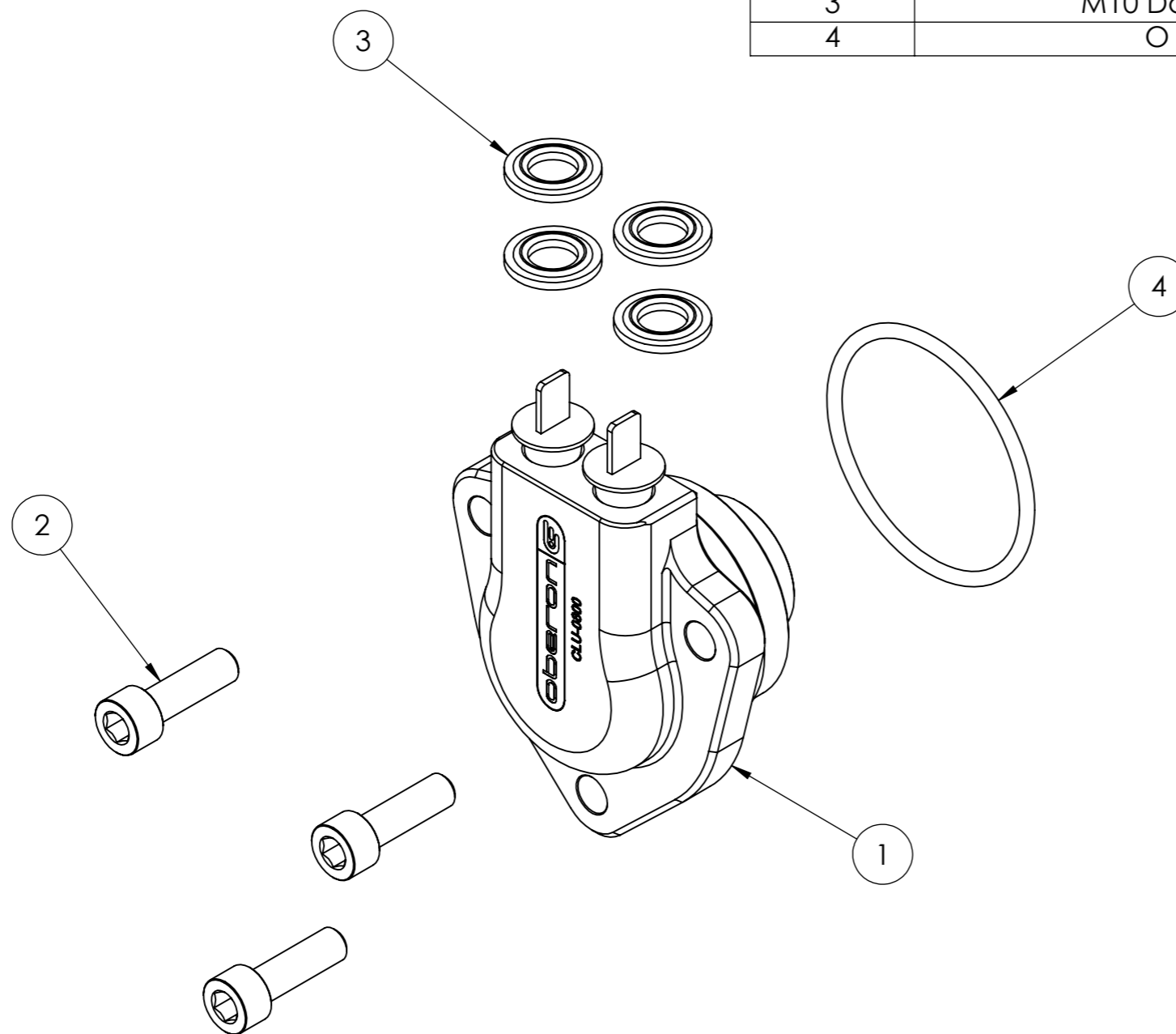
IF IN DOUBT ASK

PROPRIETARY AND CONFIDENTIAL
THE INFORMATION CONTAINED IN THIS DRAWING IS THE SOLE PROPERTY OF OBERON PERFORMANCE LIMITED.
ANY REPRODUCTION IN PART OR AS A WHOLE WITHOUT THE WRITTEN PERMISSION OF OBERON PERFORMANCE LIMITED IS PROHIBITED.



11 Havant Business Centre
Harts Farm Way
Havant
Hampshire
PO91 HU
UK
Tel: +44 02392 481 188
Fax: +44 02392 492 458
admin@oberon-performance.co.uk
Web: oberon-performance.co.uk
© Oberon Performance Limited

ITEM NO	Description	QTY
1	Fully Assembled Clutch Slave Unit	1
2	M6 x 20mm Socket Cap Head	3
3	M10 Dowty Seal	4
4	O Ring	1



REVISIONS		
REV	DESCRIPTION	DATE

DO NOT SCALE DRAWING		REVISION	
	NAME	SIGNATURE	DATE
DRAWN			
CHK'D			
APPV'D			
MFG			
Q.A			

UNLESS OTHERWISE SPECIFIED:
DIMENSIONS ARE IN MILLIMETERS
TOLERANCES:
LINEAR: +/- 0.10
ANGULAR: +/- 0.5°

DEBURR AND BREAK SHARP EDGES

FINISH:

WEIGHT:

MATERIAL:

TITLE:
Clutch Slave Cylinder

DWG NO.
whats_in_the_box_CLU-0800

SCALE:1:2 A3 SHEET 1 OF 1